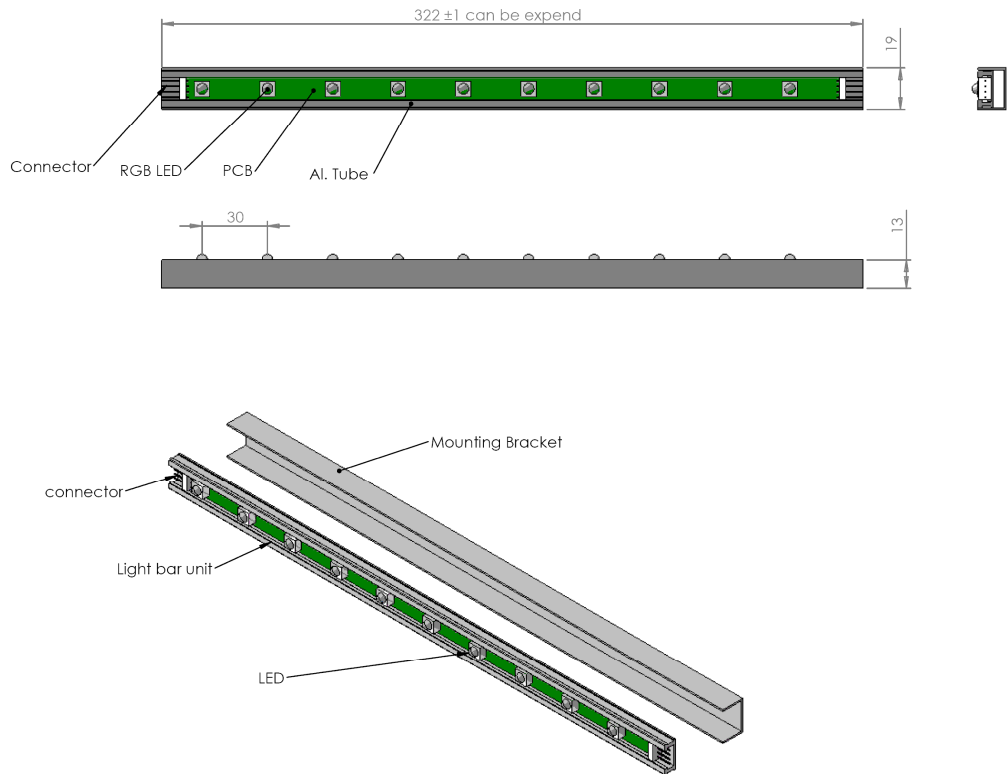


**Model No : ALS300A-RGB-30**

**Description : RGB Change Color Lighting System (LED Pitch 30mm).**

**ALS300A-RGB-30 LED LIGHT STRING**



**Specification:**

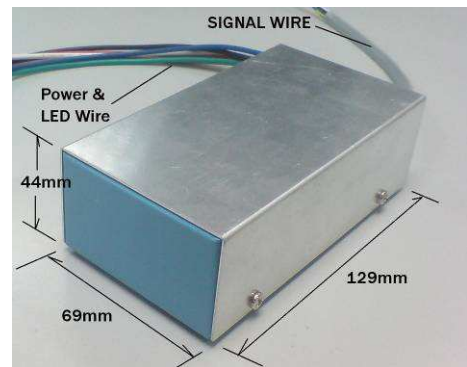
- Operation Voltage : 5V
- Quantity of LED : 10 pcs
- Power consumption: 3W
- Connection : Terminal
- IP rate : IP20
- Housing : Aluminum
- Operation Temperature : -30°C – 40°C
- Storage Temperature : -40°C – 60°C
- Weight : 120G
- Dimension : 13 X 19 X 330mm
- Remark : Can make difference length for customer require. (Max 1.8M ),

## **SPECIFICATION**

### **RGB LED DRIVER UNIT**

**Specification :**

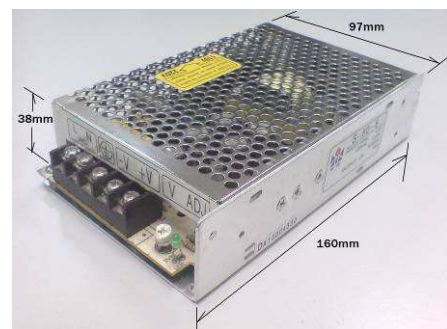
- Operation Voltage : 5V
- Drive Capacity : 150 pcs RGB LED Max.
- Power consumption: 14W Max.
- Connection : Wiring
- IP rate : IP50
- Housing : Aluminum
- Operation Temperature : -30°C – 50°C
- Storage Temperature : -40°C – 60°C
- Weight : 250G
- Dimension : 44 X 69 X 129mm



### **TRANSFORMER**

**Specification :**

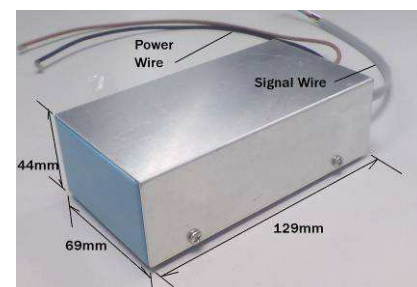
- Input Voltage : 110-240V AC 50/60 HZ
- Input Current : 1.3A
- Output Voltage : 5V
- Output Current : 10A ( Max. )
- Power consumption: 70W
- Connection : Terminal
- IP rate : IP20
- Housing : Metal
- Operation Temperature : -30°C – 50°C
- Storage Temperature : -40°C – 60°C
- Weight : 500G
- Dimension : 38 X 100 X 200mm



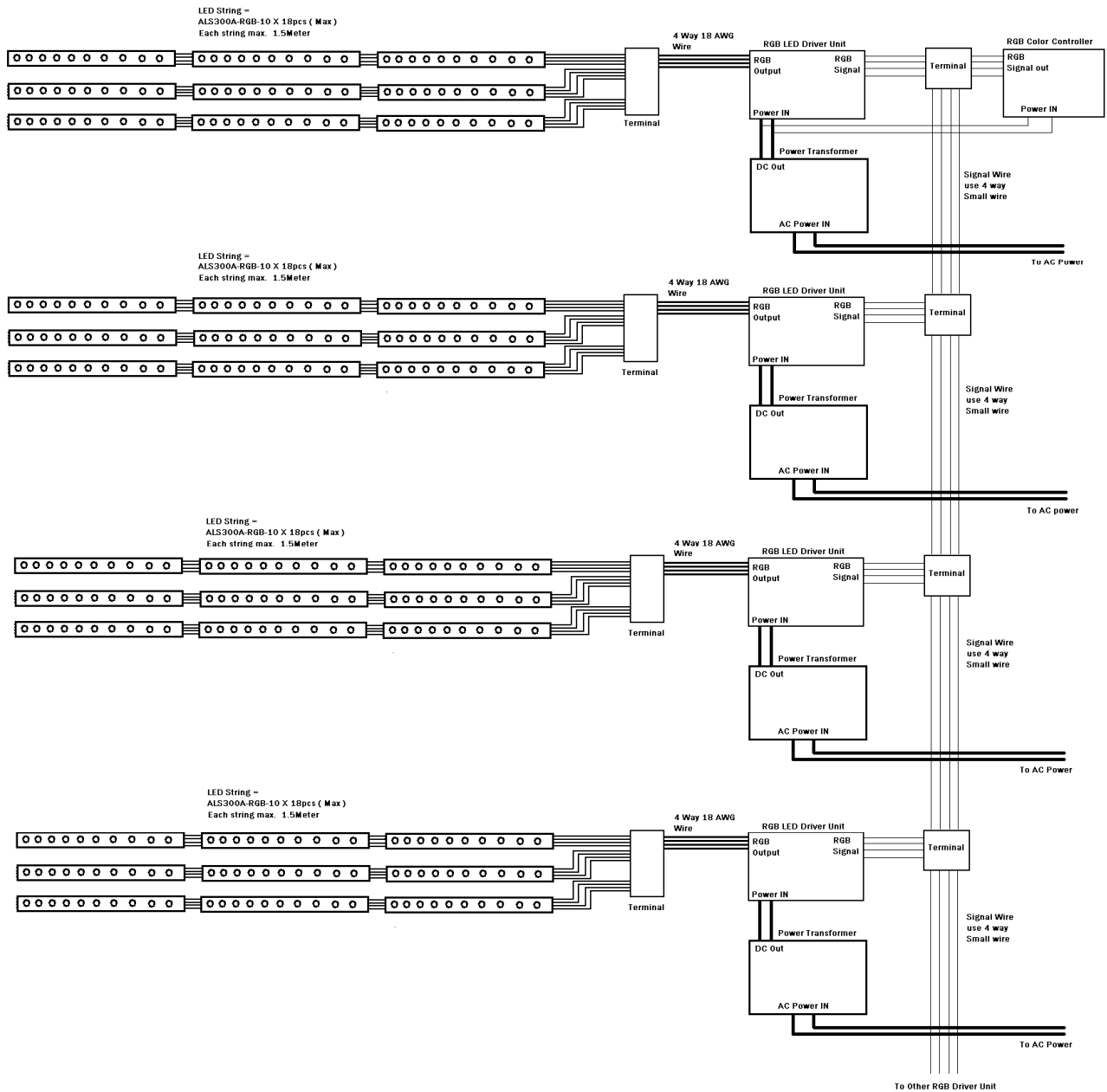
### **CHANGE COLOR CONTROLLER**

**Specification :**

- Operation Voltage : 5V
- Drive Capacity : 50pcs LED Drive unit
- Power consumption: 5W
- Connection : Wiring
- IP rate : IP50
- Housing : Aluminum
- Operation Temperature : -30°C – 50°C
- Storage Temperature : -40°C – 60°C
- Weight : 400G
- Dimension : 44 X 69 X 129mm



**CONNECTION DIAGRAM**



**Remark:**

1. Each Driver Unit can drive 18 ALS300A-RGB-30.
2. The driver to LED wiring should be less than 3 Meter, otherwise need to use larger wire.
3. The Transformer to driver unit should be less than 3 Meter, otherwise need to use larger wire.
4. The signal wire use 4 way telephone wire, Max. distance 100 Meter.
5. The color controller can place to other place, change color

